


PRODUCT SHEET

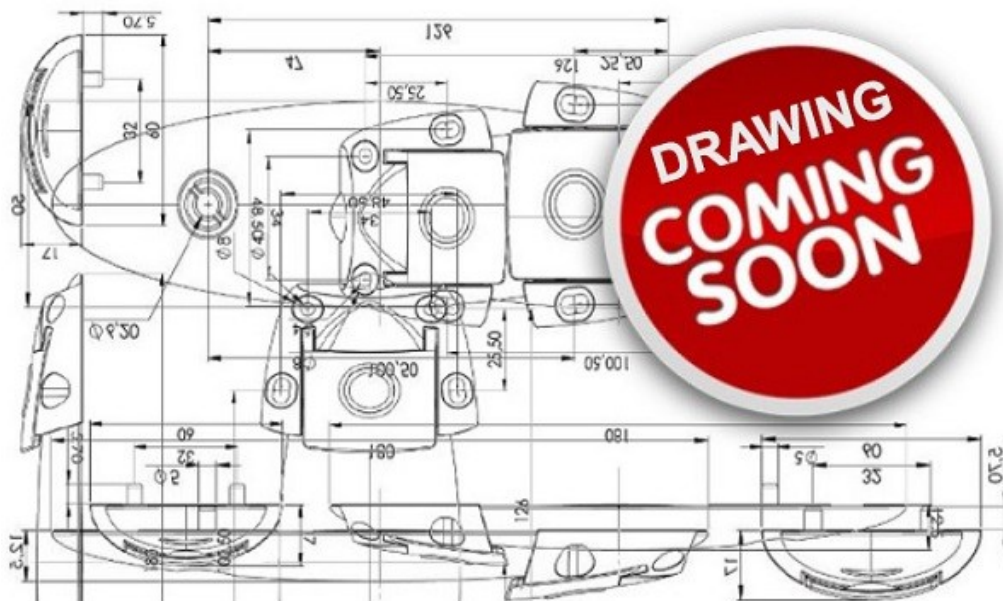
Description:

Cover Cap F/KD System S, $\varnothing 16\text{mm}$, Grey Light RAL 9002, Slot Peg

Item number:

11.03.559-0

Units	Box	Carton	HS Code	Barcode
Pcs.		5000	3908900090	 5704866012379



SISO A/S

Mileparken 11
DK-2740 Skovlunde
Denmark
VAT: DK 24786013

Phone +45 45 830 900

www.siso.dk
siso@siso.dk

Danske Bank
Nytorv Branch
Copenhagen
SWIFT: DABADKKK

Account no.
4180 3112 112936
IBAN Account
DK7230003112112936